

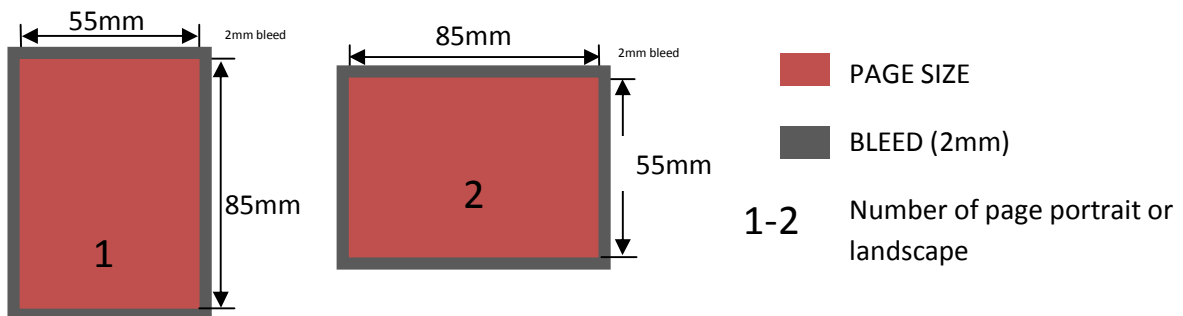
## **BUSINESS CARDS**

### **Double sided print Both sides laminated Product Specification**

Quantity	Double Sided Both Laminated
250	£62.00
500	£79.00
1000	£96.00
2500	£123.84
5000	£164.00

300gsm  
 Double Sided print  
 Both sides laminated  
 Glossy finish  
 Full colour CMYK  
 85mm X 55mm Plus add an extra 2mm bleed for trimming

Perfect for when you want to protect your business cards totally.



Print data:

Not less than 300 DPI as PDF, JPEG or TIFF in the CMYK colour range with the colour profile "ISO Coated v2 (Fogra 39 L)". Please do not use any spot colours or special colours.

We shall not be liable for errors in printing due to any other type of printing data. Create outlines on all fonts.

Paper &

Cellophane Coating:

300gsm - Laminated BOTH SIDES double sided print

Processing:

Trimming

**Business Cards Double Sided Print Both Sides Laminated Product Specifications**

**The Printing Den**

[www.theprintingden.co.uk](http://www.theprintingden.co.uk)

**0161 850 6090**

[info@theprintingden.co.uk](mailto:info@theprintingden.co.uk)