

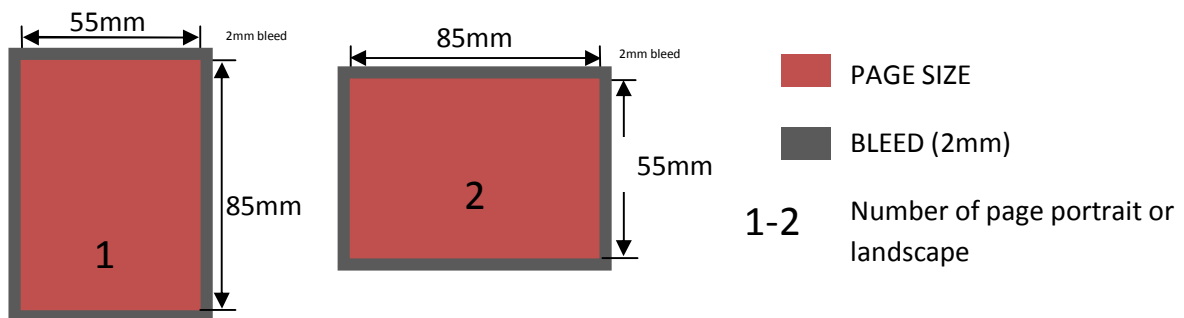
BUSINESS CARDS

Double sided print One side laminated Product Specification

Quantity	Double Sided 1 Side Laminated
250	£56.69
500	£72.37
1000	£87.29
2500	£111.25
5000	£144.16

300gsm
 Double Sided print
 One side laminated
 Glossy finish
 Full colour CMYK
 85mm X 55mm Plus add an extra 2mm bleed for trimming

Perfect for when you want to protect your business cards information about your company but wish to write on the reverse in a printed table i.e. appointments, product codes or estimates.



Print data: Not less than 300 DPI as PDF, JPEG or TIFF in the CMYK colour range with the colour profile "ISO Coated v2 (Fogra 39 L)". Please do not use any spot colours or special colours.
 We shall not be liable for errors in printing due to any other type of printing data. Create outlines on all fonts.

Paper &

Cellophane Coating:

300gsm - Laminated ONE SIDE. Double sided print

Processing:

Trimming

Business Cards Double Sided Print One Side Laminated Product Specifications

The Printing Den

www.theprintingden.co.uk

0161 850 6090

info@theprintingden.co.uk