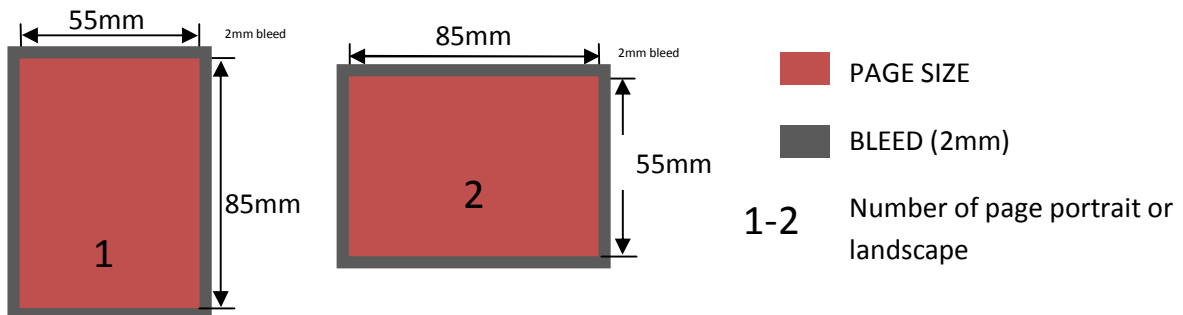


BUSINESS CARDS

Double sided print Non laminated Product Specification

Quantity	Double Sided Non Laminated
250	£49.39
500	£64.41
1000	£78.62
2500	£95.05
5000	£118.62

300gsm
 Double Sided print
 Non laminated
 Glossy finish.
 Full colour CMYK
 85mm X 55mm Plus add an extra 2mm bleed for trimming



Print data:

Not less than 300 DPI as PDF, JPEG or TIFF in the CMYK colour range with the colour profile "ISO Coated v2 (Fogra 39 L)". Please do not use any spot colours or special colours.
 We shall not be liable for errors in printing due to any other type of printing data. Create outlines on all fonts.

Paper &

Cellophane Coating:

300gsm - NON Laminated Double Sided Print

Processing:

Trimming

Business Cards Double Sided Print No Sides Laminated Product Specifications

The Printing Den

0161 850 6090

www.theprintingden.co.uk

info@theprintingden.co.uk